

PV2R Series Cartridge Kits

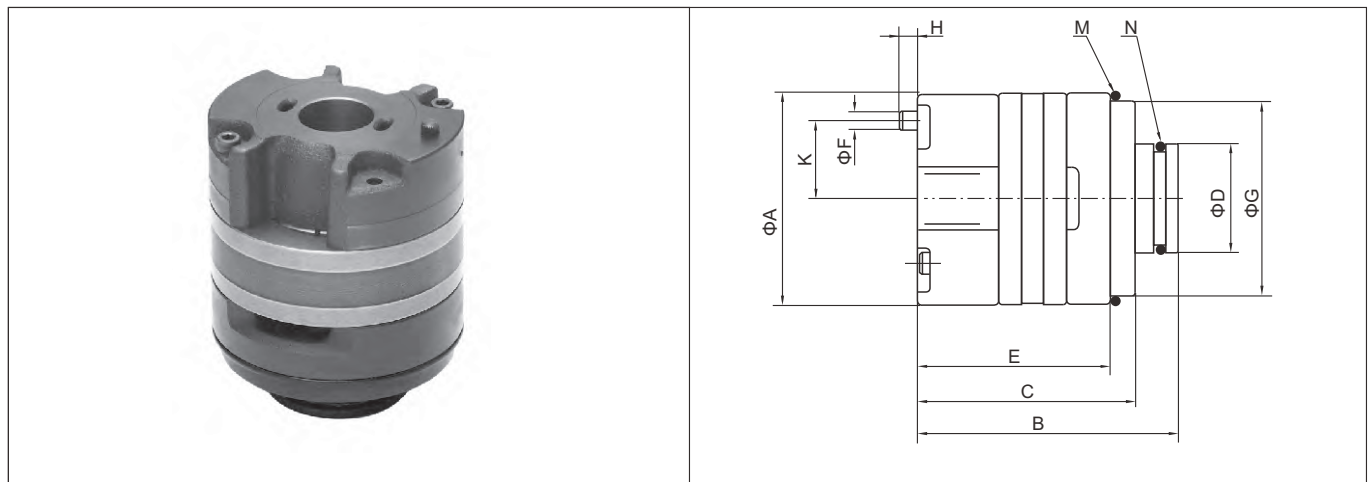
Product Introduction

The pump core is the heart of the oil pump. It can be said that the performance and life of the oil pump are determined by the design and manufacturing level of the pump core. Provide PV2R series pump core components to your satisfaction, The pump core of PV2R series vane pump is mainly composed of stator, rotor, vane, pressure side plate, side plate and seals etc. composition. Its main performance parameters are consistent with the performance parameters of the corresponding series and specifications of the oil pump.

Model Code

PC-	PV2R1	-23	-R
Cartridge kit mark	Series	Geometric Displacement	Rotation
PC-Single pump cartridge kits Double pump shaft end pump cartridge kits PCT-Double pump cover end pump cartridge kits	PV2R1	6, 8, 10, 12, 14, 17, 19, 23, 25, 28, 31	(Viewed from shaft end)
	PV2R2	26, 33, 41, 47, 53, 59, 65, 75	R-Right hand for clockwise
	PV2R3	52, 60, 66, 76, 85, 94, 116, 125, 136, 153	L-Left hand for counter clockwise

Installation Dimensions



Series	A	B	C	D	E	F	G	H	K	M	N
PV2R1	68	84	70	45	62	6	62.7	5	R25	59.4 3.1	29.4 3.1
PV2R2	90	109	93	52	82	6	84.7	5	R36	84.4 3.1	45.7×3.5
PV2R3	120.5	127.5	106	72	94	8	115	8	R48	114.4×3.1	65.0×3.5

Series	Inner splines dentiform parameter of rotor					
	Modulus	No. of teeth	Pressure angle	Major Dia	Minor Dia	Space width
PV2R1	0.75	24	45°	19.050	17.550	1.328
PV2R2	1.0	24	45°	25.400	23.400	1.771
PV2R3	1.0	28	45°	29.400	27.400	1.771