

MPCV Modular Pilot Operated Check Valve

■ Product show and brief introduction

Size 02,03
Maximum operating pressure 21 MPa
Maximum flow 70 L/min



■ Features

- Connection size according to ISO 4401-03-02-0-05
- Can seal one or two working oil ports without leakage
- Stacked structure, used for vertical stacking
- Two open pressure, optional

Ordering details

MPCV	-02	-A	-05
Sort	Size	Port number	Cracking pressure
MPCV: Modular pilot operated check valves	02	A: A port B: B port	05: 0.035MPa
	03	W: A and B port	50: 0.35MPa

Symbols

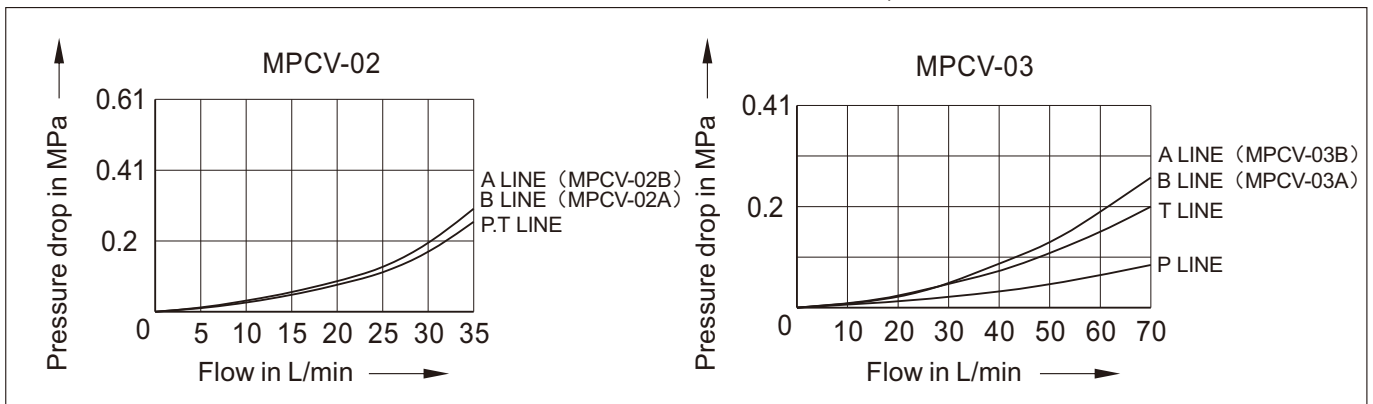
Type	MPCV-※-A	MPCV-※-B	MPCV-※-W
Symbols			

Technical data

Type	Max.pressure MPa	Max.flow L/min	Weight Kg
MPCV-02	21	35	1.1
MPCV-03		70	2.8

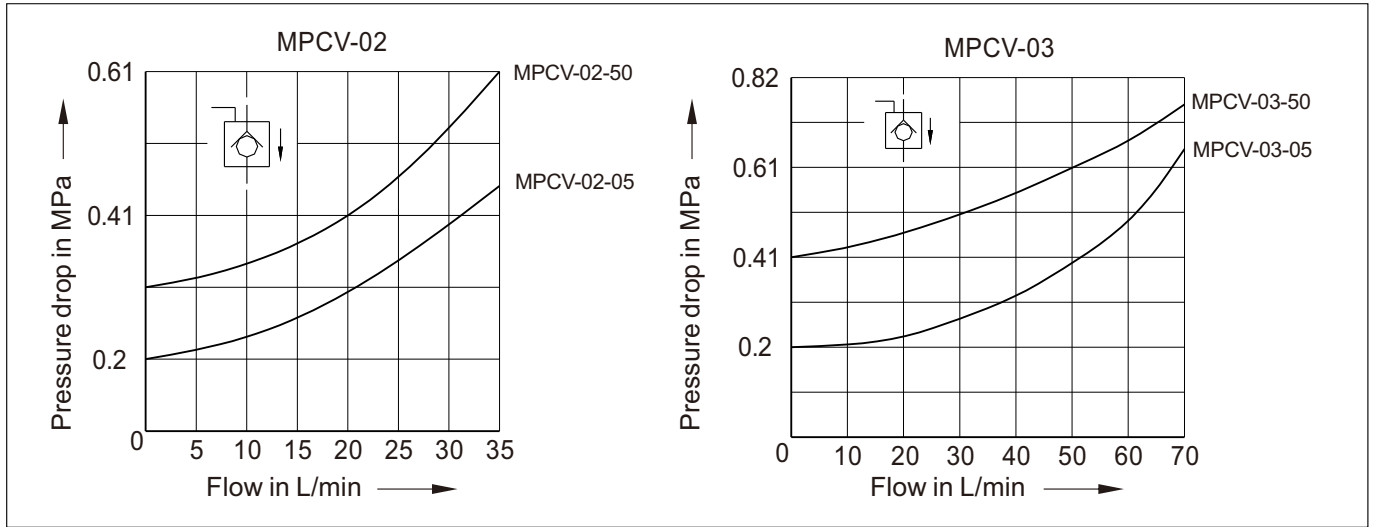
Characteristic Curves : Pressure drop

(measured at $v=35\text{mm}^2/\text{s}$ and $t=50^\circ\text{C}$)



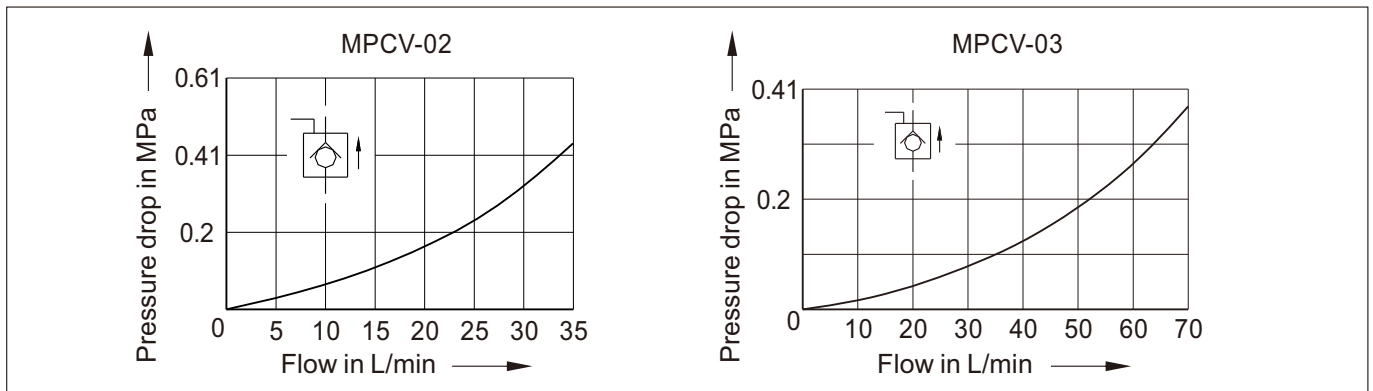
Characteristic Curves : Pressure drop free flow

(measured at $v=35\text{mm}^2/\text{s}$ and $t=50^\circ\text{C}$)



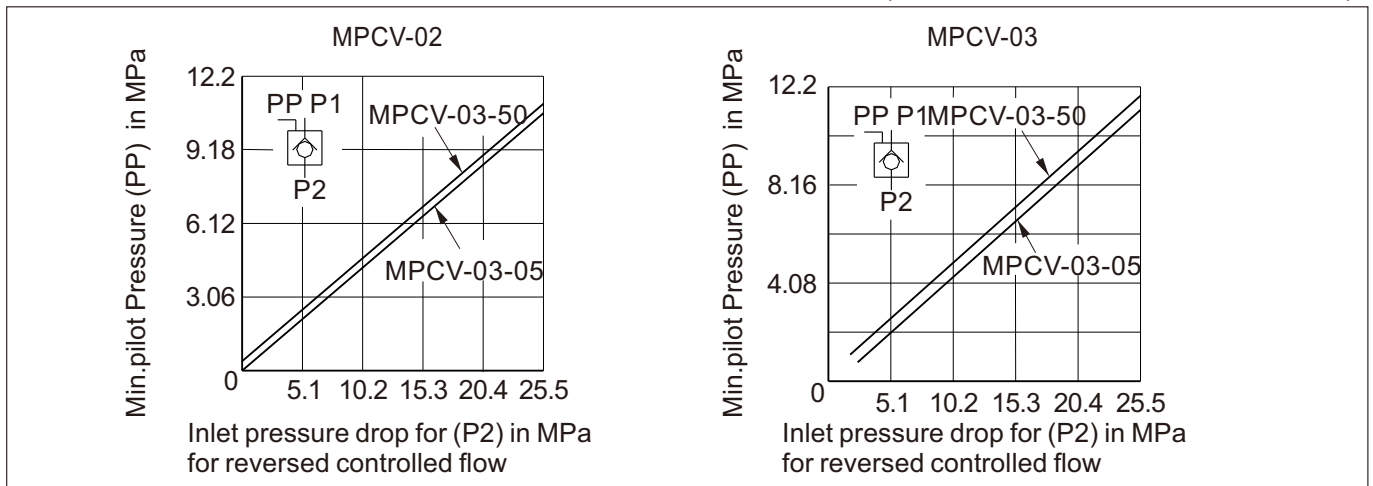
Characteristic Curves : Pressure drop for reverse controlled flow

(measured at $v=35\text{mm}^2/\text{s}$ and $t=50^\circ\text{C}$)



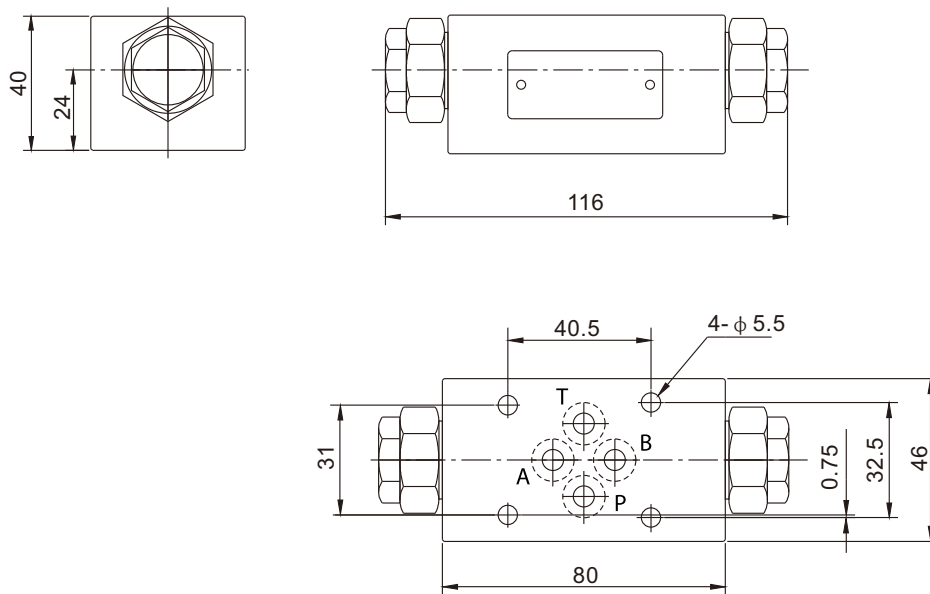
Characteristic Curves : Pressure drop free flow

(measured at $v=35\text{mm}^2/\text{s}$ and $t=50^\circ\text{C}$)



■ Installation dimensions

● MPCV-02



● MPCV-03

