

## MTCV Modular Throttle And Check Valve

### ■ Product show and brief introduction

---

Size 02,03  
Maximum operating pressure 21 MPa  
Maximum flow 70 L/min



### ■ Features

---

- Superposition structure
- The mounting surface conforms to ISO 4401
- Used to limit the main flow or controll the flow of two working oil ports
- Used for import or export throtting

## Ordering details

MTCV	-02	-A	-O
Sort	Size	Port number	Control type
MTCV: Module Throttle And Check Valves	02	A: A port B: B port	O: Meter out
	03	W: A,B port	I: Meter in

## Symbols

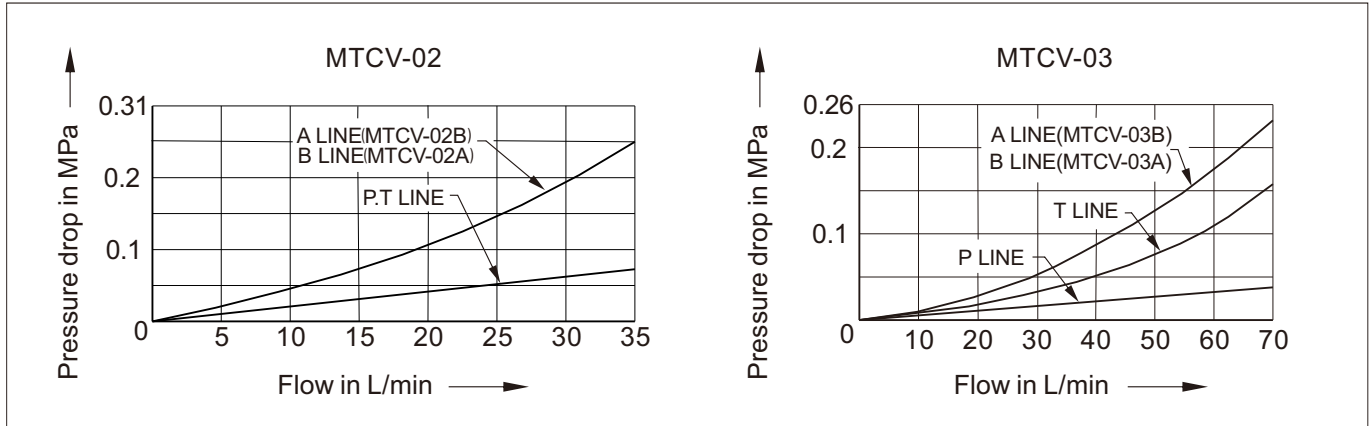
Type	MTCV-※-A-O	MTCV-※-B-I	MTCV-※-W-I
Meter out			
Type	MTCV-※-A-I	MTCV-※-B-O	MTCV-※-W-O
Meter in			

## Technical data

Type	Max.pressure MPa	Max.flow L/min	Weight Kg
MTCV-02	21	35	1.3
MTCV-03		70	2.8

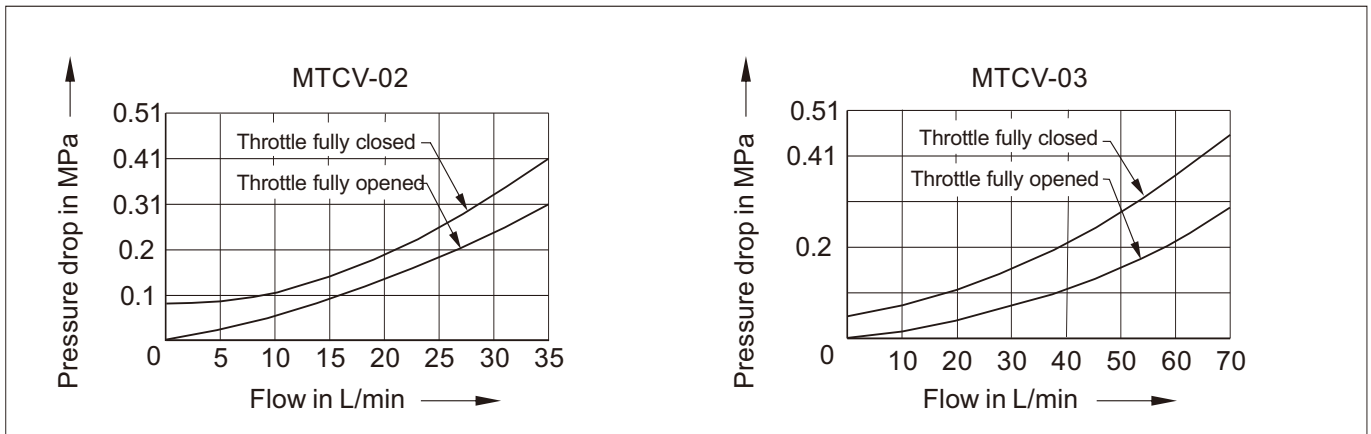
**Characteristic Curves : Pressure drop**

( measured at  $v=35\text{mm}^2/\text{s}$  and  $t=50^\circ\text{C}$  )



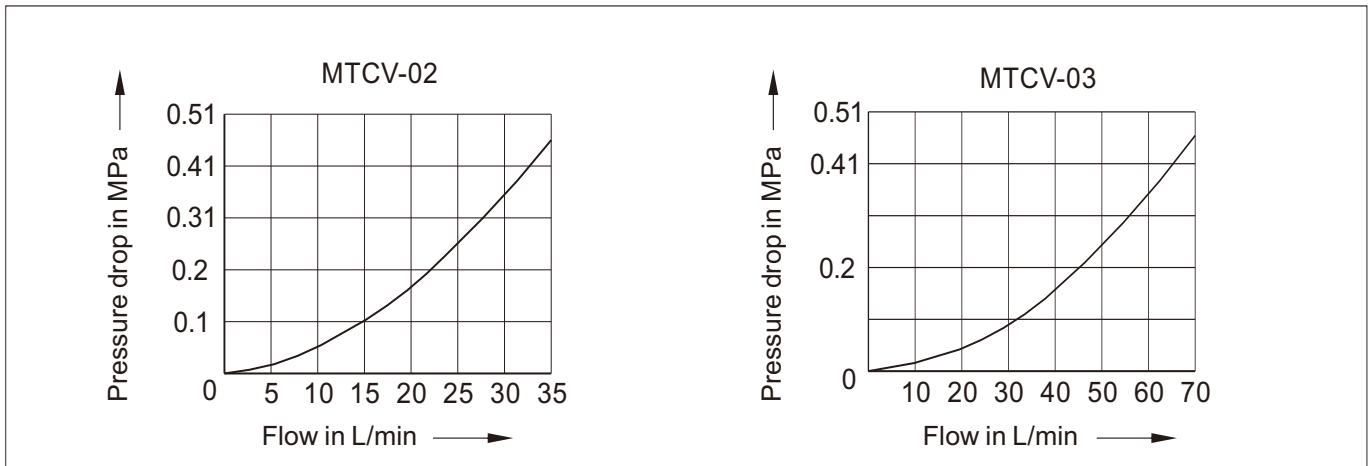
**Characteristic Curves : Pressure drop for free flow**

( measured at  $v=35\text{mm}^2/\text{s}$  and  $t=50^\circ\text{C}$  )



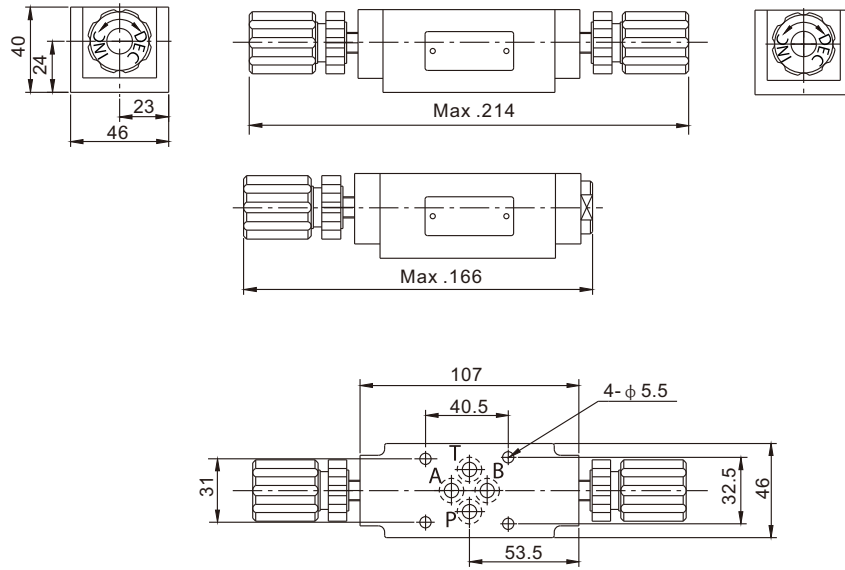
**Characteristic Curves : Pressure drop at throttle fully opened**

( measured at  $v=35\text{mm}^2/\text{s}$  and  $t=50^\circ\text{C}$  )



Installation dimensions

MTCV-02



MTCV-03

