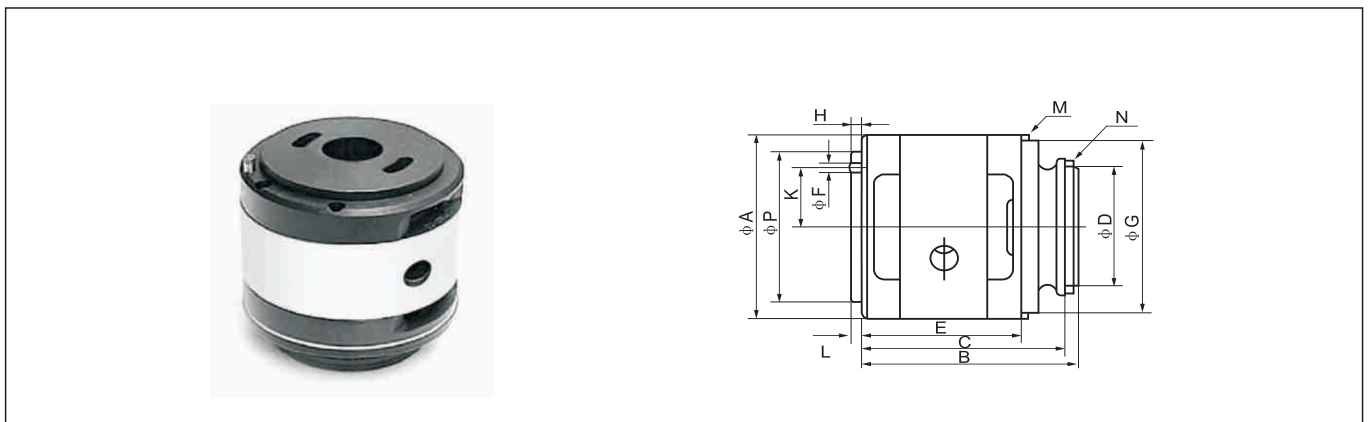


## T6 Series - cartridge

## Model Descriptions:

Front pump cartridge	T6DC	-45	R	1
Cartridge name	Series	Flow code	Rotation	Sealing Level
Single pump cartridge	T6C, T6CC, T6DC, T6EC, T6DCC, T6DDCS, T6EDC (S)	03, 05, 06, 08, 10, 12, 14, 17, 20, 22, 25, 28, 31	(viewed from shaft end of pump) R- right hand for clockwise L- left hand for counterclockwise	1-S1, NBR seals  5-S5, FKM seals
Front pump cartridge				
Middle pump cartridge				
Rear pump cartridge	T6D, T6DC, T6ED, T6DCC, T6DDCS, T6EDC	14, 17, 20, 24, 28, 31, 35, 38, 42, 45, 50, 61		
	T6E, T6EC, T6ED, T6EDC (S)	42, 45, 50, 52, 57, 62, 66, 72, 85		

The data of relevant series, model are unanimous, please refer to Page T6 single pump specification.



Cartridge name	Sliding bearing diameter	$\phi A$	B	C	$\phi D$	E	$\phi F$	$\phi G$	H	K	M (Rubber washer)	N (Rubber washer)	$\phi P$	L
Single pump cartridge T6C	$\phi 15.9$	95.25	99.4	93.9	61.9	72.1	4.8	89.1	4.8	43.7	88.5x3.53	60x3.53	77.7	5.5
Front pump cartridge T6CC	No sliding bearing													
Rear pump cartridge T6CC, T6DCC, T6DDCS, T6EDC (S)	$\phi 19.05$													
Rear pump cartridge T6DC T6EC	$\phi 22.225$	95.25	83.4	77.3	52.6	\	4.8	\	4.8	43.7	89x2.4	52x2.4	77.7	5.5
Middle pump cartridge T6DCC	No sliding bearing													
Single pump cartridge T6D	$\phi 22.225$													
Front pump cartridge T6DCC	No sliding bearing	123.0	132.4	125.8	71.9	102.2	6.4	108.1	8.0	41.2	107.5x3.53	69.5x3.53	No step	
Front pump cartridge T6DC T6DDCS														
Rear pump cartridge T6ED														
Middle pump cartridge T6EDC (S)	$\phi 22.225$	143.08	150.3	142.5	88.0	113.0	8.0	137.0	8.0	49.2	136.1x3.53	85.3x3.53		
Single pump cartridge T6E	$\phi 28.6$													
Front pump cartridge T6EC T6ED, T6EDC (S)	No sliding bearing													

Cartridge name	Inside spline tooth outline parameter of rotor				
	No. of teeth	Pitch	Standard angle	Major diameter	Minor diameter
Front pump cartridge T6CC Middle pump cartridge T6DCC	32	40/80	45°	21.41	19.9
Single pump cartridge T6C Rear pump cartridge T6CC T6DC, T6EC, T6DCC, T6DDCS, T6EDC (S)	28	40/80	45°	18.87	17.4
Single pump cartridge T6D Front pump cartridge T6DC, T6DCC, T6DDCS Middle pump cartridge T6EDC (S) Rear pump cartridge T6ED	25	24/48	45°	28.19	25.8
Middle pump cartridge T6DDCS	20	24/48	45°	22.89	20.5
Single pump cartridge T6E Front pump cartridge T6EC, T6ED, T6EDC (S)	34	24/48	45°	37.72	35.4