

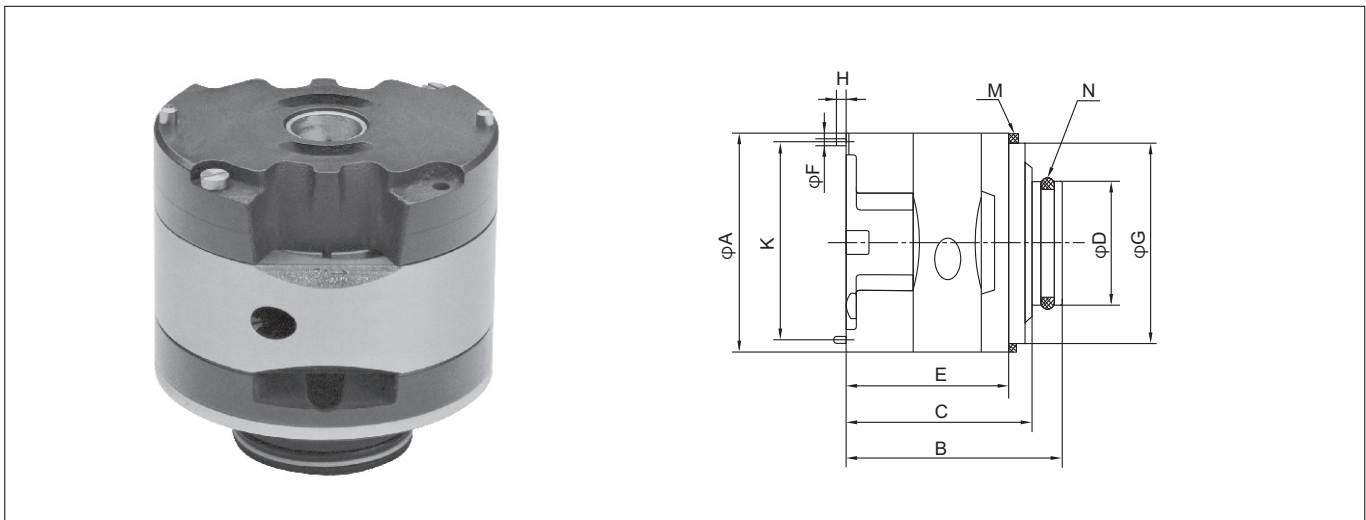
V Series Cartridge Kits

Model Code

(F3-)	PC-	20V	-5	-R	-10
Prefix	Cartridge kits mark	Series	▲ Code	Rotation	Design
Omit-Using antiwear oil water glycol fluid F3-Phosphate ester fluid	PC-Single pump cartridge kits Double pump shaft end pump cartridge kits	20V	2,3,4,5,6,7,8,9,10, 11,12,14	(Viewed from shaft end of pump) R-Right hand for clockwise L-Left hand for counter clockwise	10
		25V	10,12,14,15,17,19,21		
	35V	21,25,30,32,35,38,45			
	45V	42,45,50,57,60,66,75			
	PCT-Double pump cover end pump cartridge kits				

▲ Rated capacity(USgpm) at 1200 rpm,0.69 MPa(100 psi).

Installation dimensions

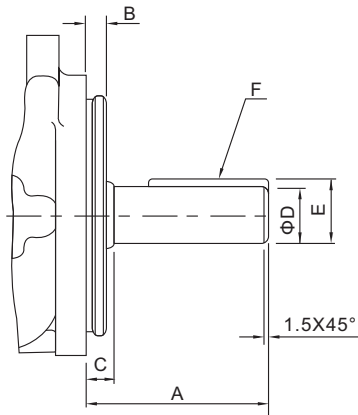


Series	A	B	C	D	E	F	G	H	K	M(Gasket)	N(O-Ring)
20V	82.5	81.5	70.1	47	61.5	4.8	76.2	6	73.6	82.76x76.26x3.5	40x3.5
25V	96.8	98.8	87	52.2	71.2	4.8	90.5	5	88.19	97x91x3.5	44x3.53
35V	114.3	117.7	105	72.2	90.3	6.4	108	6	103.94	114.5x108.5x3.5	63.09x3.53
45V	133.35	141.1	129.6	80.2	105.5	6.4	127	10	133.35	133.6x127.6x3.5	71x3.55

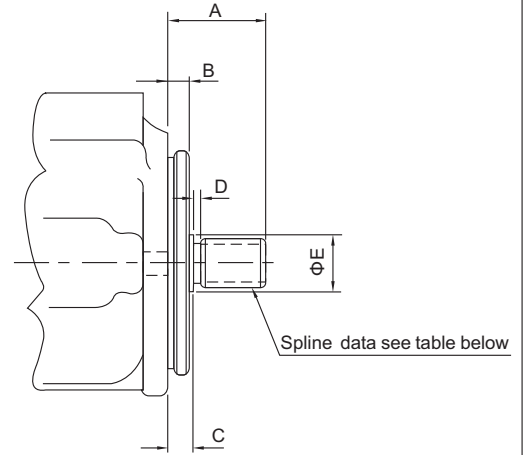
Series	Inner spline dentiform parameter of rotor				
	Pitch	Number of teech	Pressure angle	Major diameter	Minor diameter
20V	48/96	30	45°	16.617	15.56
25V	48/96	40	45°	21.9	20.86
35V	40/80	37	45°	24.38	23.1
45V	12/24	14	30°	32.59	27.60

Optional shafts

● key shaft



● Spline shaft



● key shaft

Model	Shaft	A	B	C	D	E	F
20V	1	59	9.53	12.1	22.23/22.20	24.5/24.4	4.76×32
25V 2520V	1	59	9.53	11.1	22.23/22.20	24.5/24.4	4.76×32
	86	78	9.53	11.1	25.37/25.35	28.3/28.1	6.36×50.8
35V 352*V	1	73.2	9.53	11.1	31.75/31.70	35.36/34.10	7.94×38.1
	86	86	9.53	11.1	34.90/34.87	38.6/38.3	7.94×54
45V 45**V	1	62	12.7	14.22	31.75/31.70	35.36/34.10	7.94×28.5
	86	87.4	12.7	14.22	38.07/38.05	42.4/42.1	9.54×50.8

● Spline shaft

Model	Shaft	A	B	C	D	E	Spline data (see table below)
20V	151	41.1	9.53	11.1	3.9	27.8	A
25V 2520V	11	44.5	9.53	11.1	3.9	27.8	A
35V 352*V							
45V 45**V	11	61.9	12.7	14.3	9.7	39.6	C

● Spline data (involute spline)

Spline data tag	teeth	diameter	large diameter	forming diameter	trail	flat tooth with fit
A	13	16/32	22.17	19.03	18.63	large diameter fit
			22.15		18.35	
C	14	12/24	31.7	27.2	26.99	large diameter fit
			31.67		26.64	